

PNEUMATICS

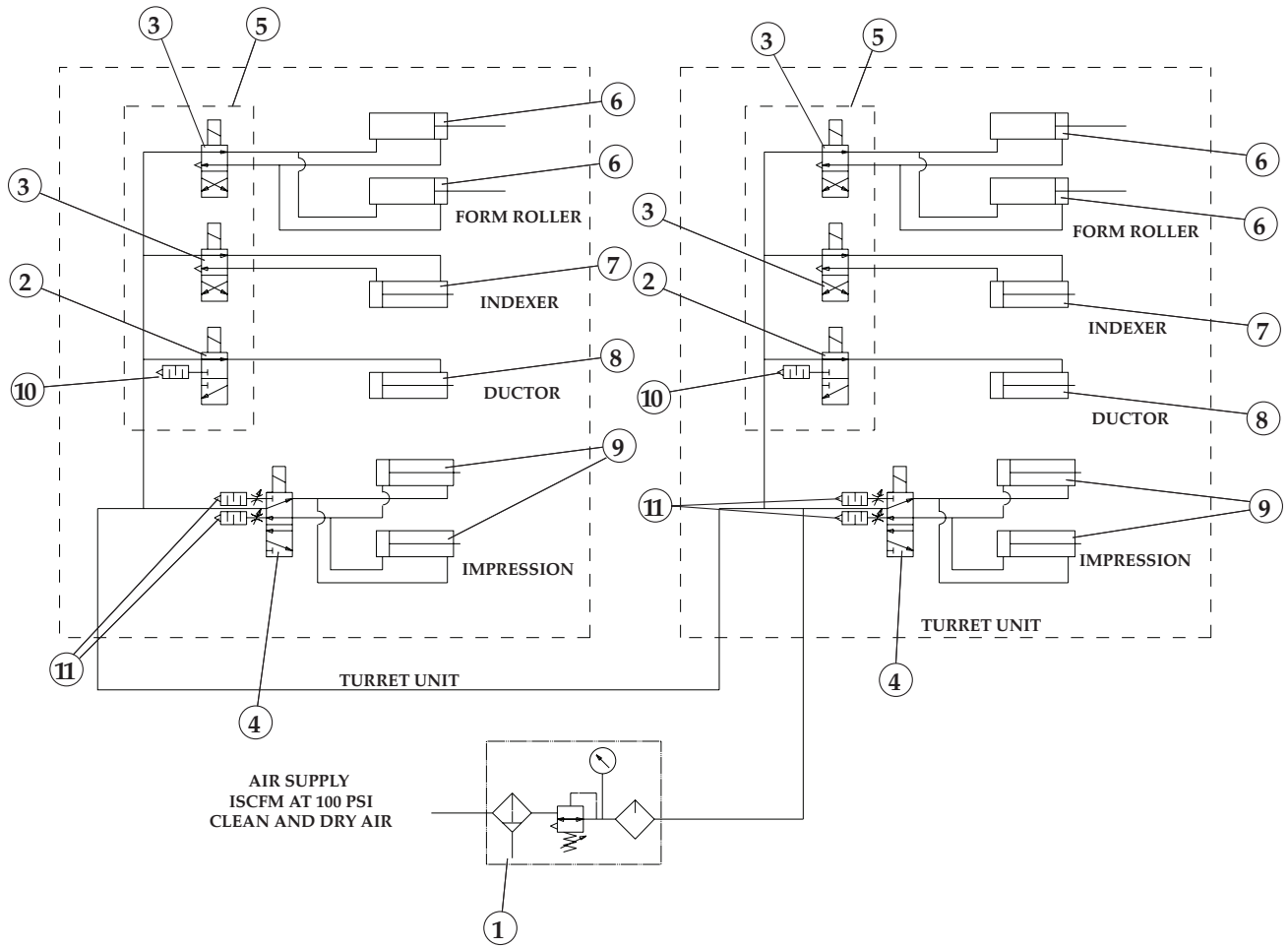
TITLE	SUB ASSEMBLY	PAGE NO.
T-T Air Schematic		306
T-T-T Air Schematic		308
O-T Air Schematic		310
O-T-T Air Schematic		312
2C-O-T Air Schematic		314
2C-O-T-T Air Schematic		316

HEATH

CUSTOM PRESS

equipment ▪ service ▪ supplies

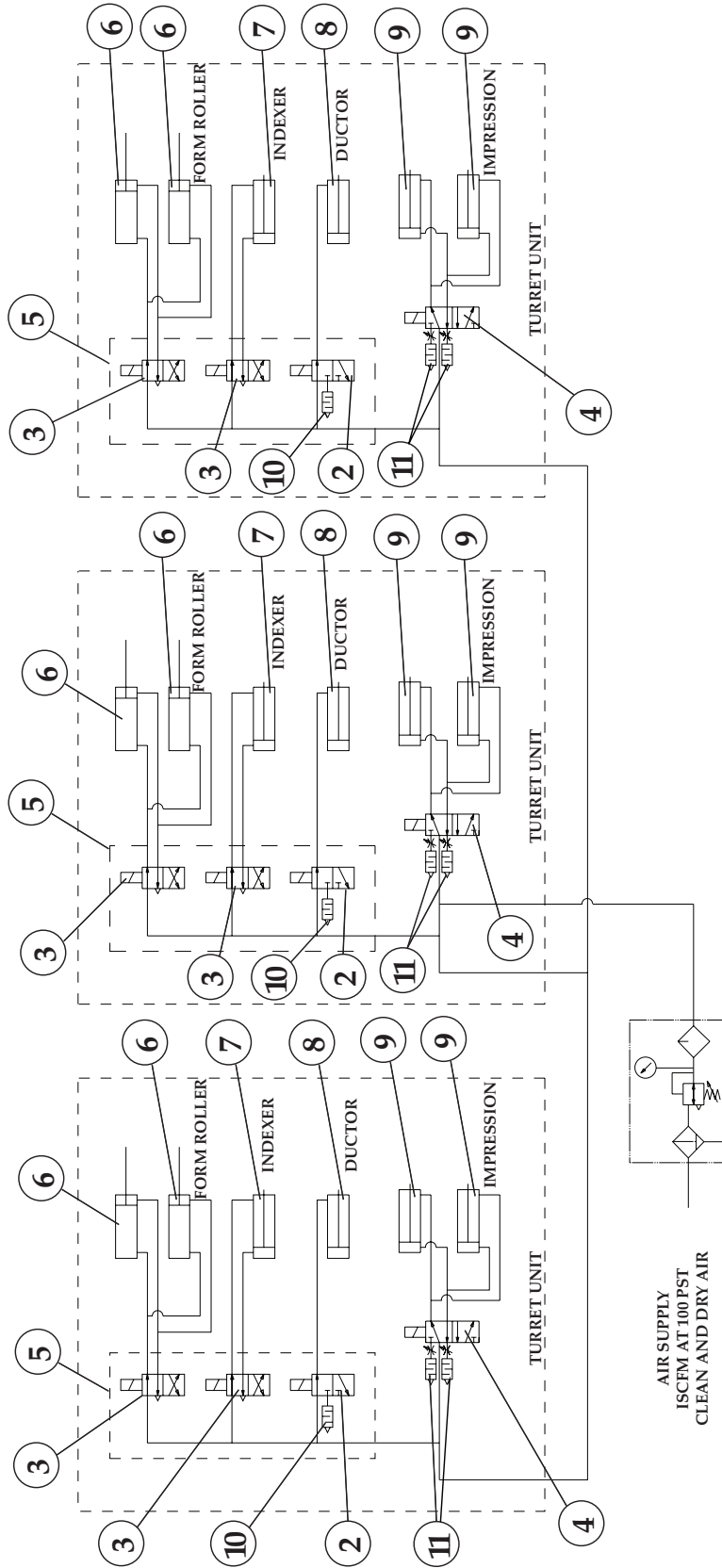
T-T AIR SCHEMATIC



T-T AIR SCHEMATIC

ITEM	PART NUMBER	DESCRIPTION	QUANTITY
1	SF4462	REGULATOR ASSEMBLY	1
2	F292	AIR VALVE - 3 WAY	2
3	F291	AIR VALVE - 4 WAY	4
4	F1311	AIR VALVE	2
5	F3865	MANIFOLD	2
6	F1447	AIR CYLINDER	4
7	F1384	AIR CYLINDER	2
8	F1101	AIR CYLINDER	2
9	F3226	AIR CYLINDER	4
10	F296	MUFFLER	2
11	F1297	SPEED CONTROL	4

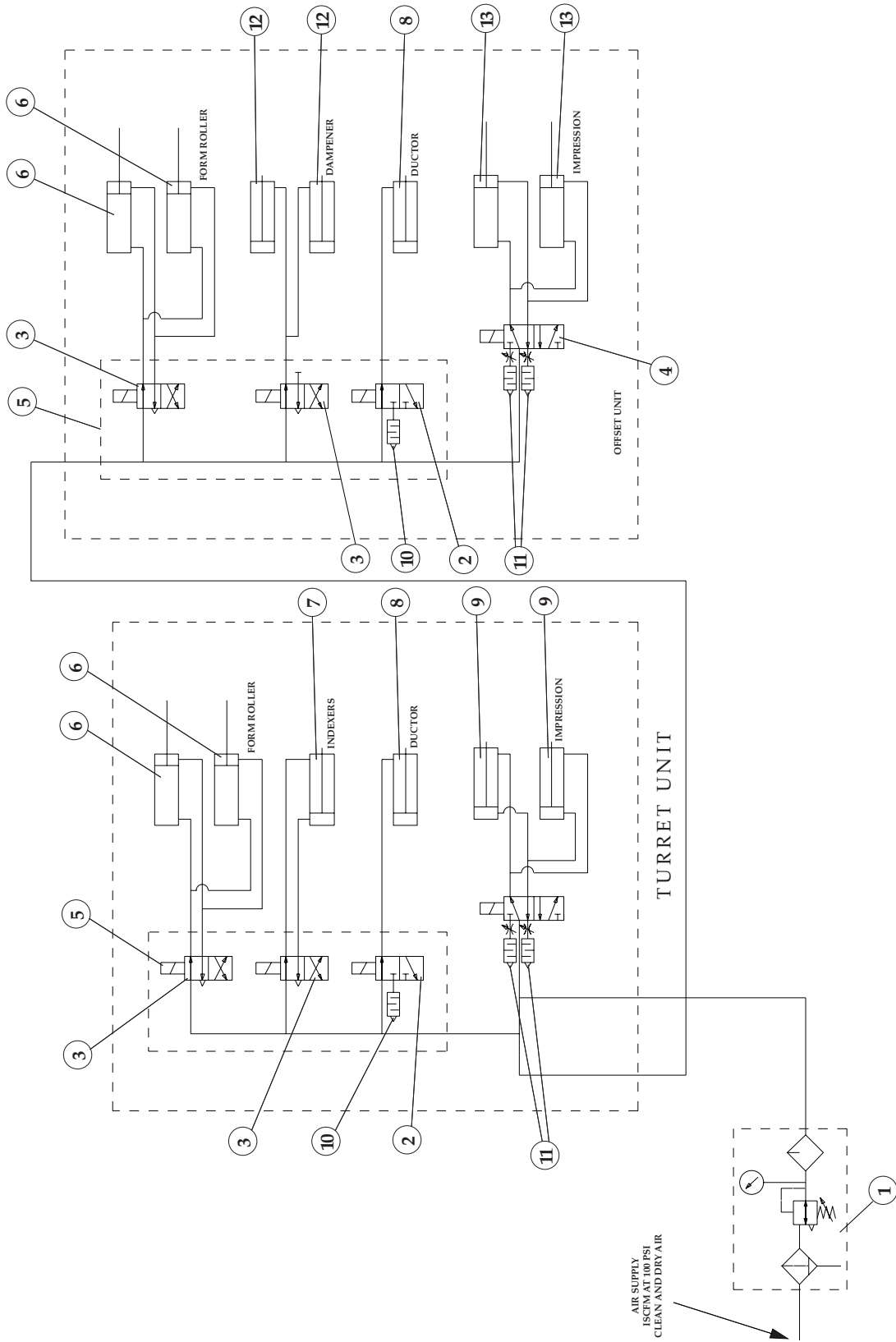
T-T-T AIR SCHEMATIC



T-T-T AIR SCHEMATIC

ITEM	PART NUMBER	DESCRIPTION	QUANTITY
1	SF4462	REGULATOR ASSEMBLY	1
2	F292	AIR VALVE - 3 WAY	3
3	F291	AIR VALVE - 4 WAY	6
4	F1311	AIR VALVE	3
5	F3865	MANIFOLD	3
6	F1447	AIR CYLINDER	6
7	F1384	AIR CYLINDER	3
8	F1101	AIR CYLINDER	3
9	F3226	AIR CYLINDER	6
10	F296	MUFFLER	3
11	F1297	SPEED CONTROL	6

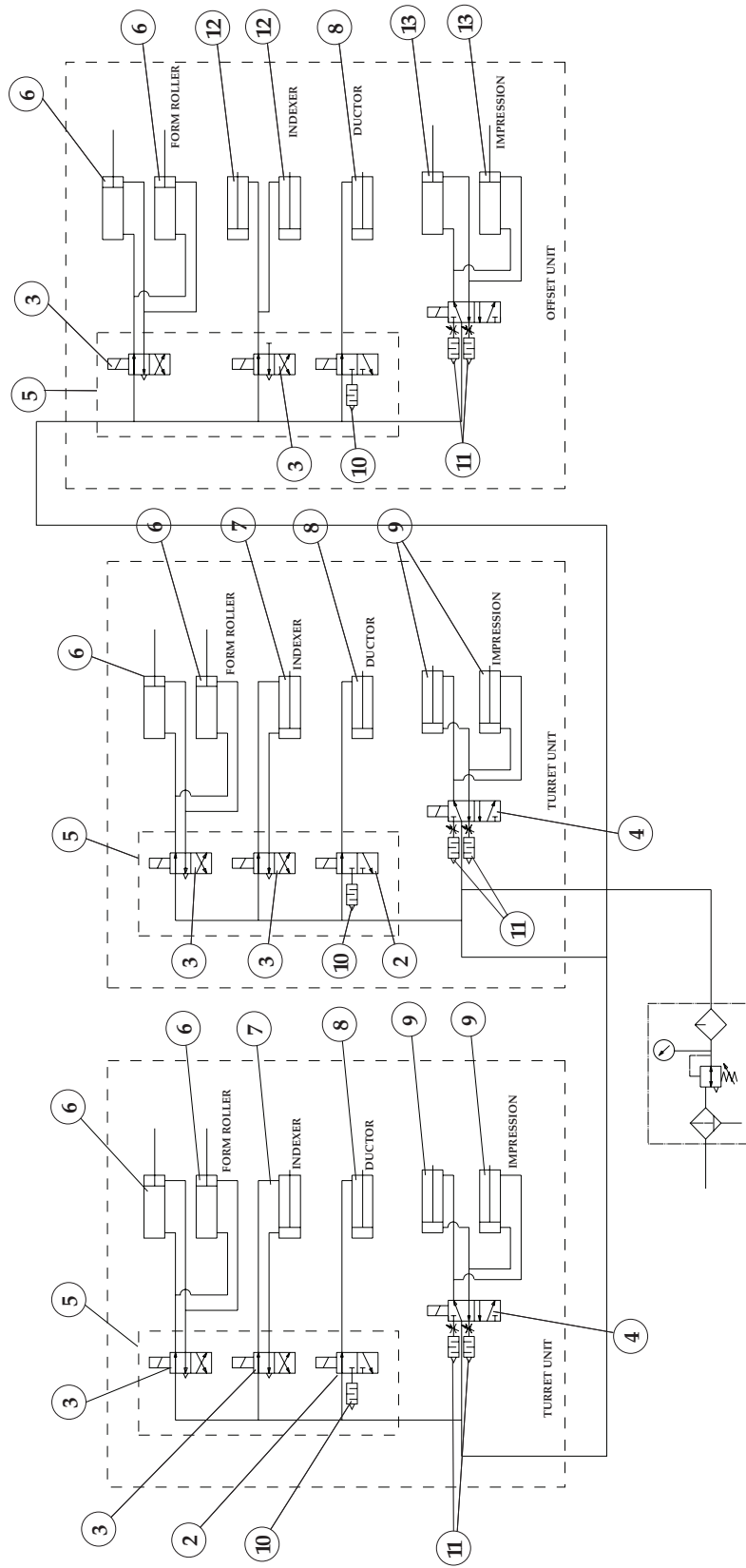
O-T AIR SCHEMATIC



O-T AIR SCHEMATIC

ITEM	PART NUMBER	DESCRIPTION	QUANTITY
1	SF4462	REGULATOR ASSEMBLY	1
2	F292	AIR VALVE - 3 WAY	2
3	F291	AIR VALVE - 4 WAY	4
4	F1311	AIR VALVE	2
5	F3865	MANIFOLD	2
6	F1447	AIR CYLINDER	4
7	F1384	AIR CYLINDER	1
8	F1101	AIR CYLINDER	2
9	F3226	AIR CYLINDER	2
10	F296	MUFFLER	2
11	F297	SPEED CONTROL	4
12	F1711	AIR CYLINDER	2
13	F909	AIR CYLINDER	2

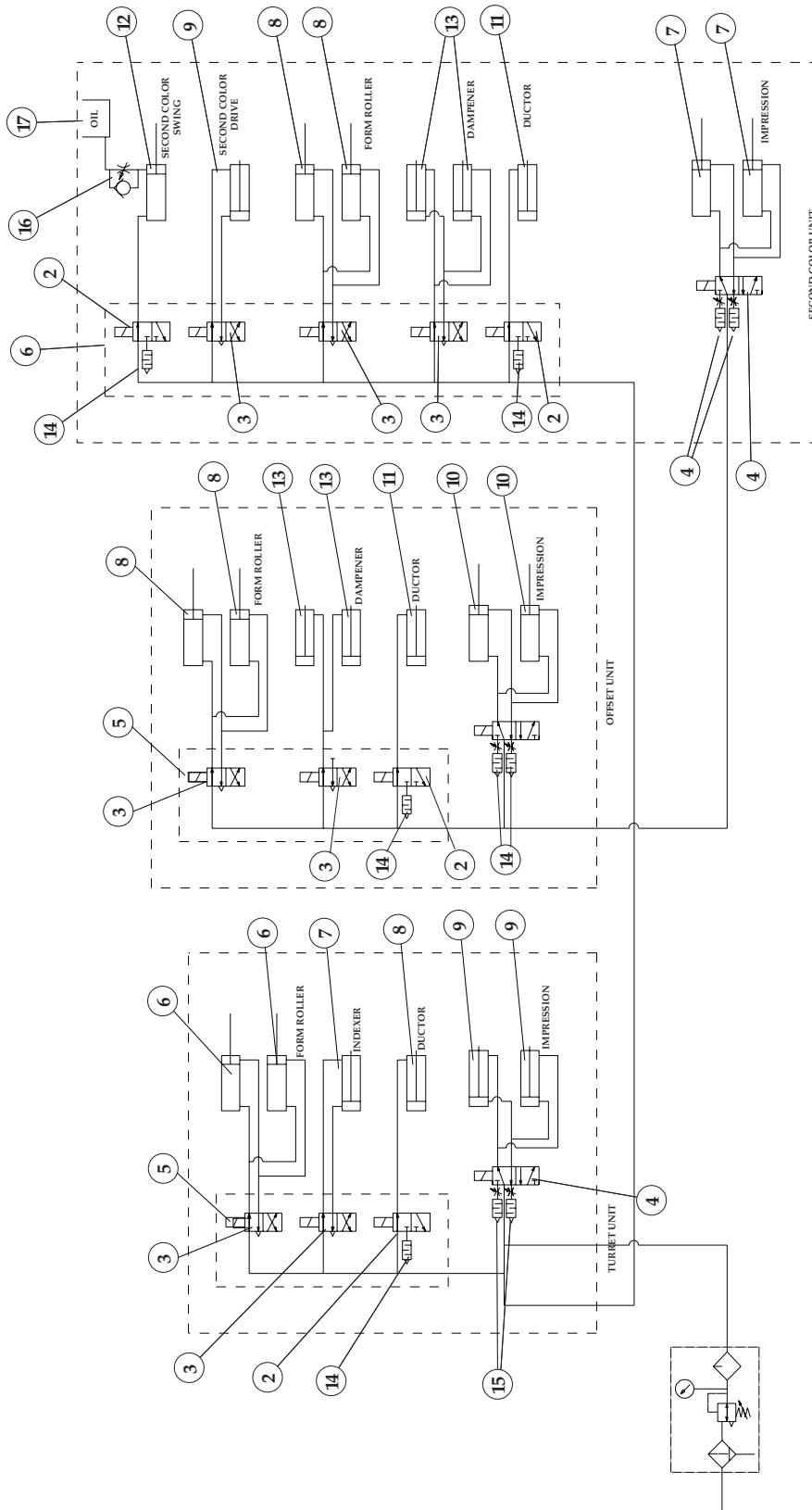
O-T-T AIR SCHEMATIC



O-T-T AIR SCHEMATIC

ITEM	PART NUMBER	DESCRIPTION	QUANTITY
1	SF4462	REGULATOR ASSEMBLY	1
2	F292	AIR VALVE - 3 WAY	2
3	F291	AIR VALVE - 4 WAY	6
4	F1311	AIR VALVE	3
5	F3865	MANIFOLD	3
6	F1447	AIR CYLINDER	6
7	F1384	AIR CYLINDER	2
8	F1101	AIR CYLINDER	3
9	F3226	AIR CYLINDER	4
10	F296	MUFFLER	3
11	F297	SPEED CONTROL	6
12	F1711	AIR CYLINDER	2
13	F909	AIR CYLINDER	2

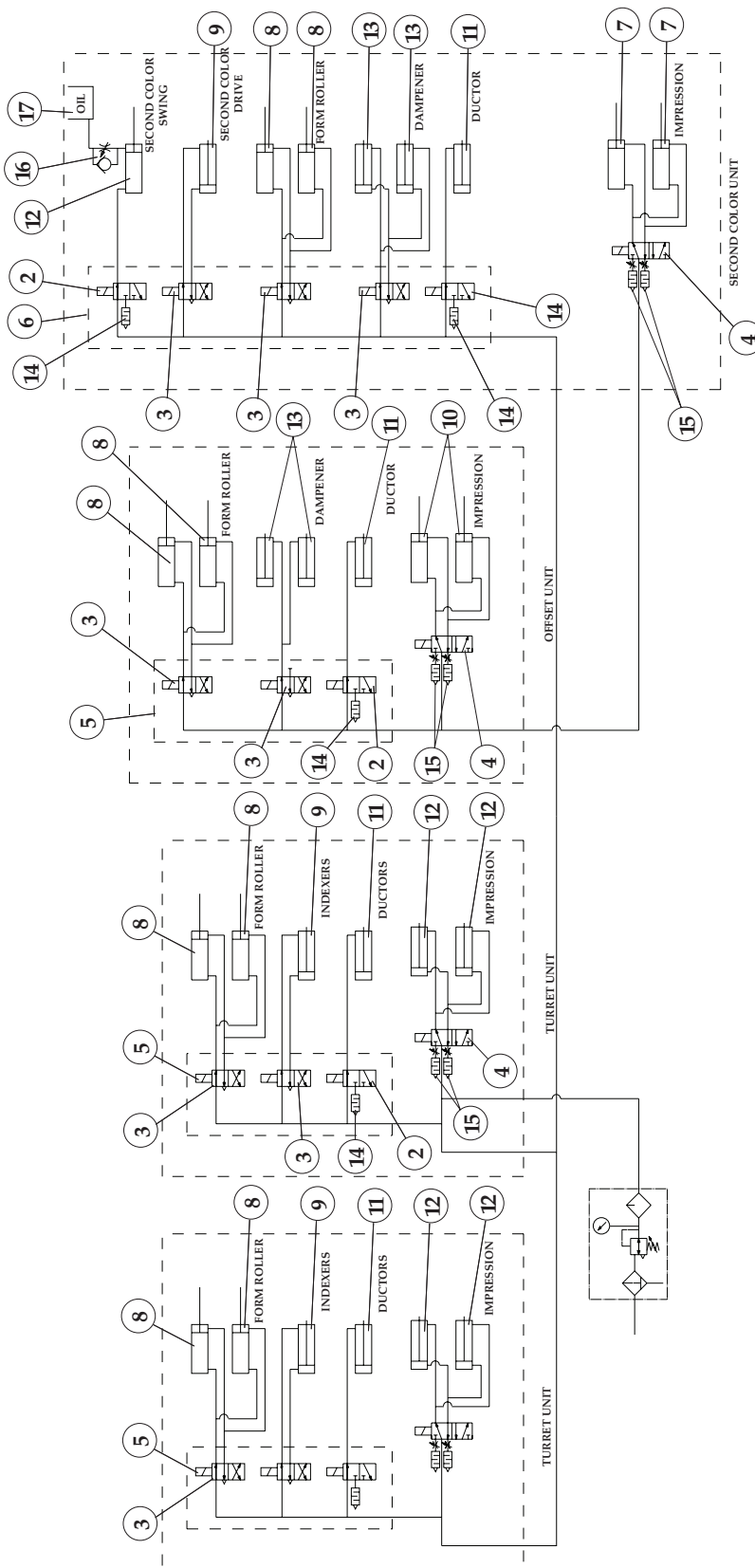
2C-O-T AIR SCHEMATIC



2C-O-T AIR SCHEMATIC

ITEM	PART NUMBER	DESCRIPTION	QUANTITY
1	SF4462	REGULATOR ASSEMBLY	1
2	F292	AIR VALVE - 3 WAY	3
3	F291	AIR VALVE - 4 WAY	7
4	F1311	AIR VALVE	2
5	F3865	MANIFOLD	2
6	F3605	MANIFOLD	1
7	F4099	AIR CYLINDER	2
8	F1447	AIR CYLINDER	6
9	F1384	AIR CYLINDER	2
10	F909	AIR CYLINDER	2
11	F1101	AIR CYLINDER	3
12	F3226	AIR CYLINDER	3
13	F1711	AIR CYLINDER	4
14	F296	MUFFLER	4
15	F1297	SPEED CONTROL	6
16	F3843	VALVE FLOW CONTROL	1
17	F3864	AIR-OIL RESERVOIR	1

2C-O-T-T AIR SCHEMATIC



2C-O-T-T AIR SCHEMATIC

ITEM	PART NUMBER	DESCRIPTION	QUANTITY
1	SF4462	REGULATOR ASSEMBLY	1
2	F292	AIR VALVE - 3 WAY	3
3	F291	AIR VALVE - 4 WAY	7
4	F1311	AIR VALVE	2
5	F3865	MANIFOLD	2
6	F3605	MANIFOLD	1
7	F4099	AIR CYLINDER	2
8	F1447	AIR CYLINDER	6
9	F1384	AIR CYLINDER	2
10	F909	AIR CYLINDER	2
11	F1101	AIR CYLINDER	3
12	F3226	AIR CYLINDER	3
13	F1711	AIR CYLINDER	4
14	F296	MUFFLER	4
15	F1297	SPEED CONTROL	6
16	F3843	VALVE FLOW CONTROL	1
17	F3864	AIR-OIL RESERVOIR	1

