

SPLICE TABLE ASSEMBLY

TITLE

Splice Table Assembly

SUB ASSEMBLY

MS1000

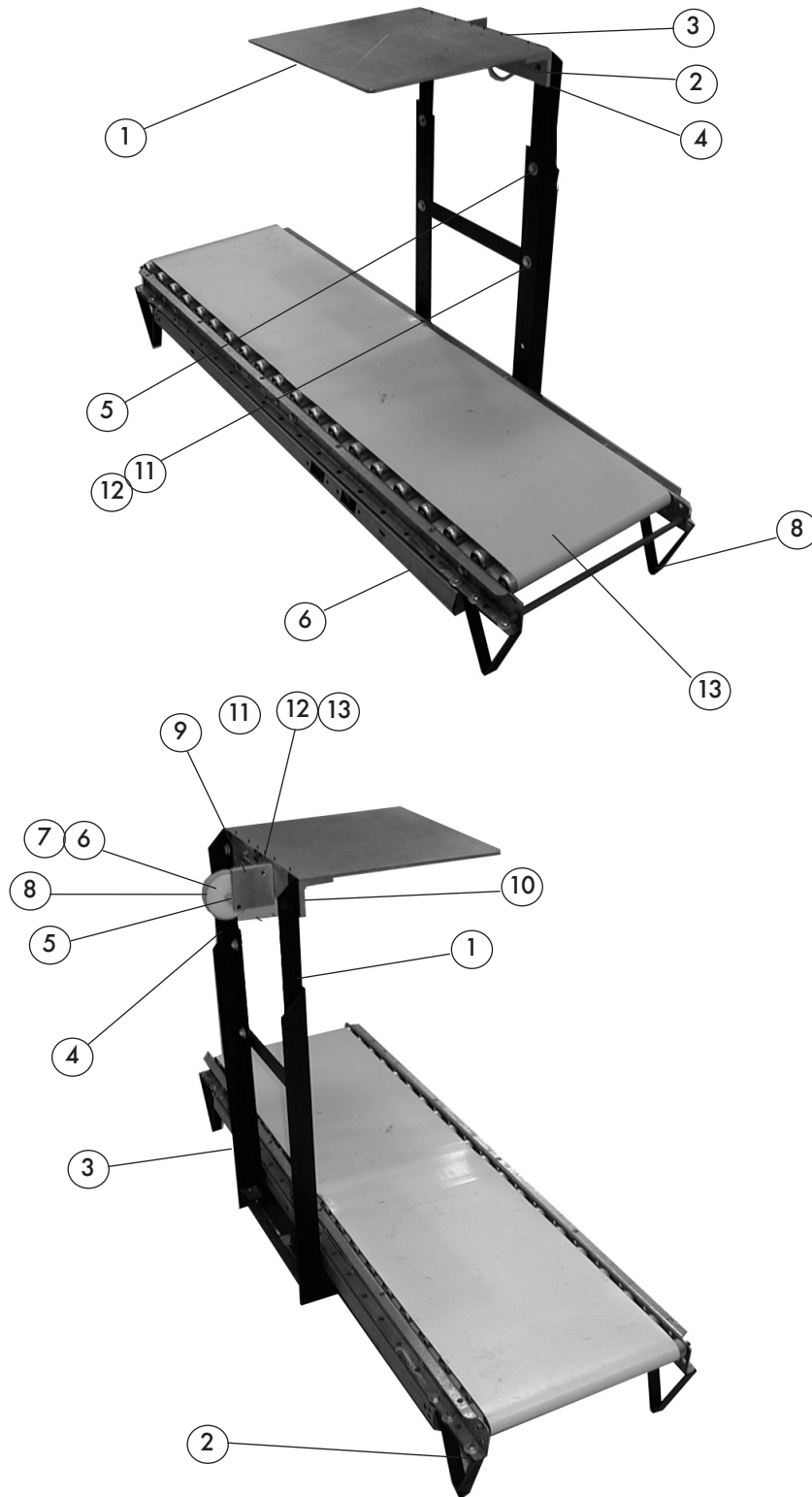
PAGE NO.

10



SPLICE TABLE ASSEMBLY

MS1000



SPLICE TABLE ASSEMBLY

ITEM	PART NUMBER	DESCRIPTION	QUANTITY
1	B4016	16" TABLE SPLICING	1
2	F1401	1/4-20 X 3/4 HHCS, GR5 PLTD	4
3	F4318	1/2" PIN TIP	6
4	B4017	ANGLE, TABLE	1
5	F3773	3/8 - 16 X 1 HHCS, GR5 PLTD	16
6	B4023	TRACK	2
8	B4022	CONVEYOR LEG	4
11	F4431	3/8" WASHER, FLAT, PLTD	4
12	F544	3/8" NUT, HEX GR5, PLTD	4
13	C3348	CONVEYOR, MODIFIED	1
1	B4025-2	TABLE ADJUST. ANGLE, LT	1
2	F14	WASHER, HEAVY, FLAT	4
3	D3139	SUPPORT STAND	1
4	B4025	TABLE ADJUST, ANGLE, RT	1
5	B4019	ROLLER CORE	1
6	F3743	3/8 X 3 SH SHOLDER BOLT	1
7	F1285	3/8 STAINLESS STEEL WASHER, FLAT (AN960-C616)	1
8	151001	3/8" MATTE PERF TAPE	
	151000	5/16" CLEAR PERF TAPE	
	151003	1/4" CLEAR PERF TAPE	
9	B4018	TAPE BLOCK	1
10	F398	10-32 X 3/4" SHCS	2
11	F3790	3/8 X 3 1/2 " SH SHOULDER BOLT	1
12	F4322	BLADE	1
13	B1181	SPRING PLATE	1



HEATH

CUSTOM PRESS

 equipment • service • supplies

